

A photograph of the Ammann APA 100/88 Add-On Compactor. The machine is yellow and red, with a large black hydraulic cylinder on top. It is shown in operation, compacting a layer of light-colored soil. The machine has the Ammann logo and the model number APA 100/88 on its side. The background is a mix of yellow and red, suggesting a construction site.

APA 100/88

ADD-ON COMPACTOR

THE ADD-ON MACHINE FOR LARGE EXCAVATORS

A working width of 880 mm (34.6 in) and a length of 1295 mm (51 in) make the APA 100/88 a highly productive add-on compactor for large excavators. It is equipped with a hydraulic 360° rotating motor, suitable for excavators up to 40 tonnes. This versatile machine can also be used in small areas.

PATENTED VIBRATION LIMITATION

- High-resistance rubber shock absorbers cushion vibrations to protect the excavator and operator

SAFETY

- For work on steep inclines where compaction with a vibratory plate is not safe
- Trench compaction from a safe distance

THE MACHINE THAT MATCHES

- The Add-On Compactor is compatible with all commonly used adapters
- With the Ammann fast change system, this Add-On Compactor is connected and ready to operate within a few seconds

RUGGED DESIGN

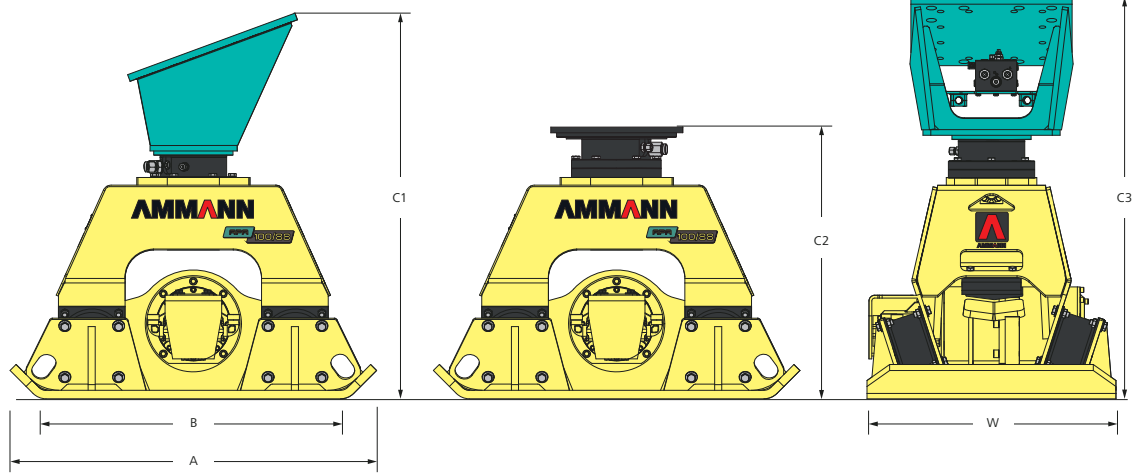
- The housing protects the central exciter unit
- Bearing bushings protect the housing against vibrations and prevent direct contact by metal surfaces under high pressure

APPLICATIONS

- Add-On Compactor for excavators from 12- to 40-tonnes
- Pipeline construction
- Development areas
- Slope and hillside compaction
- Confined work spaces
- Manhole compaction
- Structure backfill work
- Landfill
- Track construction

AMMANN

TECHNICAL SPECIFICATIONS
APA 100/88 ADD-ON COMPACTOR



WEIGHT & DIMENSIONS

	APA 100/88
MACHINE WEIGHT	875 kg (1929 lb)
MACHINE WEIGHT (MECH.)	1065 kg (2348 lb)
MACHINE WEIGHT (HYD.)	1170 kg (2579 lb)
A LENGTH	1295 mm (51 in)
B BASE PLATE LENGTH	1095 mm (43.1 in)
C1 HEIGHT (MECH.)	1200 mm (47.2 in)
C2 HEIGHT (HYD.)	910 mm (35.8 in)
C3 HEIGHT (HYD+UNIV.)	1380 mm (54.3 in)
W WIDTH	880 mm (34.6 in)
DIAMETER	1500 mm (58.3 in)
RECOMMENDED CARRIER SIZE	12 - 40 t (26 455 - 88 185 lb)

COMPACTION FORCES

MAX. VIBRATION FREQUENCY	36 Hz (2160 VPM)
MAX. CENTRIFUGAL FORCE	100 kN (22 481 lbf)
SPEC. SURFACE PRESSURE	10,4 N/cm ² (15.1 psi)

MISCELLANEOUS

HYDRAULIC CONNECTIONS	Turn - Forward - Return - Leak - Turn
REQUIRED HYDRAULIC PRESSURE	250 bar (3625.9 psi)
REQUIRED VOLUME FLOW	150 l/min (9153 in ³ /min)
MAX. RETURN PRESSURE	10 bar (145 psi)



STANDARD EQUIPMENT

- Version with hydraulic rotator
- Twin-shaft exciter with high frequency and low amplitude
- Rubber cushions protect the excavator against vibrations
- Universal adapter plate for fast changes

OPTIONAL EQUIPMENT

- Alternative connections for Krupp hole pattern
- Hydraulic connections for Likifix fast change system
- Hydraulic connections for OilQuick fast change system
- Adapter plate to fit an OilQuick fast change system

For additional product informations and services please visit:
www.ammann.com

Materials and specification data are subject to change without notice.
MSS-1070-02-EN | 203 | © Ammann Group

AMMANN