

AFW 400-3

WHEELED ASPHALT PAVER CITY CLASS, PREMIUM

EU Stage V / U.S. EPA Tier 4f
EU Stage IIIA / U.S. EPA Tier 3



PRODUCTIVE IN ALL PLACES

This wheeled paver utilises an intelligent control system that features a variety of automated functions. The system enables productivity, quality and cost-saving efficiency. The AFW 400-3 is productive when space is open, but can manage curves and tighter spaces, too – in part due to a tight 2510 mm inner turning radius. The material feeding system provides consistent flow.

OPERATOR STATION

- Intelligent paving process management system
- User-friendly, multifunctional dashboard
- Optimal view of all machine preferences and settings

MATERIAL FEEDING

- Large 320 mm diameter auger
- 700 mm independent conveyor belt
- Proportional sensors and speed controls

EASY TRANSPORT

- Compact dimensions
- Transport width within 2.55 m allows truck transportation with mounted extension boxes

SUPERIOR SCREED TECHNOLOGY

- Dual tube design for high stability, even when paving at maximum width
- Ergonomic side shield control
- Easy adjustment of the angle of attack
- Standard width of 1.75–3.5 m
- Max width of 4.7 m with extensions
- Vibration or tamper/vibration screeds
- Gas or electric heating

EXCEPTIONAL MOBILITY

- 2510 mm inner turning radius
- 15 km/h travel speed
- Large rear wheels (385/65 R22.5)

SERVICEABILITY

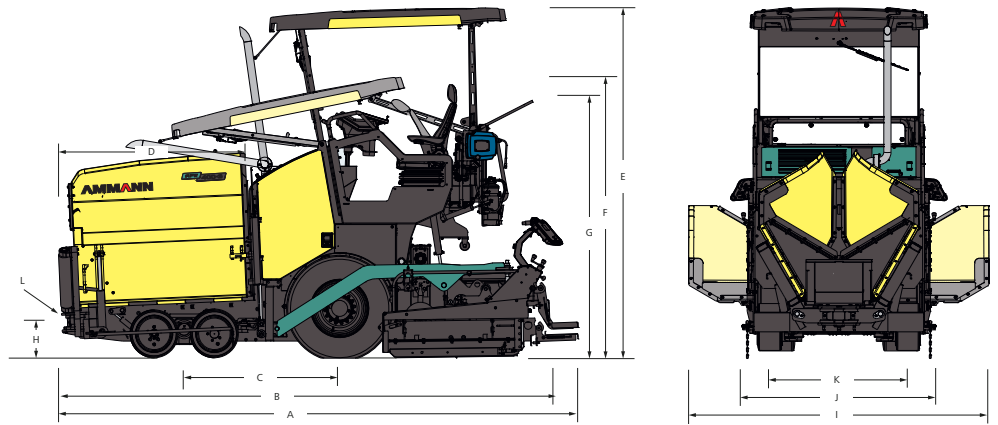
- Easy access
- All-in-one box kits available

APPLICATIONS

- National roads
- Municipal roads
- Building lots
- Squares and courtyards
- Sporting courts

AMMANN

TECHNICAL SPECIFICATIONS
AFW 400-3
WHEELED ASPHALT PAVER
CITY CLASS, PREMIUM



WEIGHT & DIMENSIONS

WEIGHT (INCLUDING STANDARD SCREED)	10 300 kg
A MACHINE LENGTH	5022 mm
B TRANSPORT LENGTH	4990 mm
C WHEEL BASE	1600 mm
D HOPPER LENGTH	1990 mm
E MACHINE HEIGHT	3600 mm
F TRANSPORT HEIGHT	2920 mm
G HEIGHT (W.O. CANOPY)	2400 mm
H MATERIAL LOADING HEIGHT	500 mm
I MACHINE, OPEN HOPPERS WIDTH	3150 mm
J TRANSPORT WIDTH	1800 mm
K CENTER OF WHEELS WIDTH	1450 mm
L MAX. APPROACH ANGLE	15° (front) / 13° (rear)

CAPACITY & PERFORMANCE

PLACEMENT THICKNESS (MAX.)	200 mm
THEORETICAL PAVING CAPACITY	350 t/h
PAVING SPEED (MAX.)	25 m/min
TRANSPORT SPEED (MAX.)	15 km/h

WHEEL DRIVE

REAR WHEELS	2 × 385/65 R22.5
FRONT WHEELS	4 × 492/260-378
TRACTION	4WD (2x rear wheels, 2 × front wheels)
TURNING RADIUS	2510 mm (inside)

SCREED OPTIONS

	SV 3500 G	SV 3500 E	STV 3500 G	STV 3500 E
BASIC WIDTH	1.75 m	1.75 m	1.75 m	1.75 m
HYDRAULIC EXTENDED WIDTH	3.50 m	3.50 m	3.50 m	3.50 m
MAX. WORKING WIDTH	4.70 m	4.70 m	4.70 m	4.70 m
HEATING SYSTEM	Gas (LPG)	Electric	Gas (LPG)	Electric
CROWN RANGE	-2.5% to +4.5%	-2.5% to +4.5%	-2.5% to +4.5%	-2.5% to +4.5%
SCREED TYPE	Vibration screed	Vibration screed	Tamper & vibration screed	Tamper & vibration screed



MATERIAL FEEDING SYSTEM

HOPPER CAPACITY	10.5 t
HOPPER DUMPING HEIGHT CENTER (W. HOPPER FLAP)	500 mm
HOPPER WIDTH, INTERNAL	3040 mm
CONVEYOR TYPE	Dual bar feeder
CONVEYOR WIDTH	700 mm
CONVEYOR CONTROL	Aut. / Proportional paddles
AUGER DIAMETER	320 mm
AUGER CONTROL	Aut. / Ultrasonic sensors
AUGER HEIGHT ADJUSTMENT	200 mm (hydraulic)

ENGINE

ENGINE MODEL	Deutz TD 2.9 L4
RATED POWER @ 2200 RPM	
EU Stage V / U.S. EPA Tier 4f	55.4 kW
EU Stage IIIA / U.S. EPA Tier 3	54 kW
ELECTRICAL SYSTEM	24 V
FUEL TANK CAPACITY	73 l

OPERATOR STATION

OPERATOR CONSOLE	Slidable and tiltable control panel
DASHBOARD	Pave Manager 2.0 (PLC)
PLATFORM	Slide out seat stations with pivotable seats
ROOF	Canopy with lights (optional)