

AFT 900-3

TRACKED ASPHALT PAVER LARGE CLASS, PREMIUM

EU Stage V / U.S. EPA Tier 4f
EU Stage IIIA / U.S. EPA Tier 3



PRODUCTIVE PAVING

This paver – the largest in the Ammann lineup – is the ultimately productive machine, thanks to its ability to pave at 14-meter widths, using a rigid frame screed. The paver has the grip and the power necessary to utilise high-compaction screeds, too. The intelligent paving control system enables thorough monitoring of the paver. The user interface utilises an intuitive dashboard that makes the technology accessible to operators. A slidable operator platform with a control console adjustable to any position allows the operator a full process control.

ADVANCED TECHNOLOGY

- Pavemanager 2.0 System monitors paving parameters in real time
- Crown and slope automatic programming
- Memory system (SetAssist Option) saves settings of screed, auger and leveling position while paving
- Efficient drive concept reduces operation costs

TRACTION

- Long, wide tracks for optimal grip and smooth drive
- High number of rollers inside tracks improves manoeuvrability on curves
- 2.9 m track length
- 320 mm track pads specially designed for pavers

SUPERIOR SCREED TECHNOLOGY

- Multiple screed options
- Ability to utilise high-compaction screeds
- Ability to utilise rigid-frame screeds for large paving widths
- Gas or electric heating
- 14 m maximum working width
- Stability through 4-tube principle
- Easy adjustment of the angle of attack with the Flexilever
- Single crank to adjust height and side shield angle

MATERIAL FEEDING

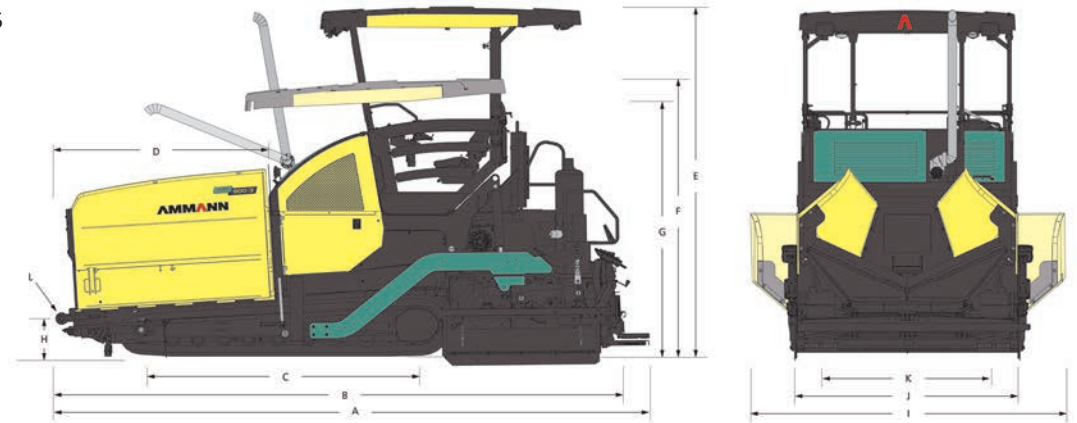
- Large capacity hopper for reduced segregation
- Hydraulic front hopper flap (option)
- Two 655 mm independent, reversible conveyor belts
- Slim auger gearbox
- Ultrasonic sensors for auger control

APPLICATIONS

- Airports
- Ports
- National roads
- Highways
- Country roads
- City/municipal streets
- Building lots
- Large squares and courtyards

AMMANN

TECHNICAL SPECIFICATIONS
AFT 900-3
TRACKED ASPHALT PAVER
LARGE CLASS, PREMIUM



WEIGHT & DIMENSIONS

| | |
|------------------------------------|--------------------------|
| WEIGHT (INCLUDING STANDARD SCREED) | 20 000 kg |
| A MACHINE LENGTH | 6880 mm |
| B TRANSPORT LENGTH | 6625 mm |
| C TRACK LENGTH | 3360 mm |
| D HOPPER LENGTH | 2600 mm |
| E MACHINE HEIGHT | 3900 mm |
| F TRANSPORT HEIGHT | 3100 mm |
| G HEIGHT (W.O. CANOPY) | 2845 mm |
| H MATERIAL LOADING HEIGHT | 460 mm |
| I MACHINE, OPEN HOPPERS WIDTH | 3470 mm |
| J TRANSPORT WIDTH | 2550 mm |
| K TRACK GAUGE WIDTH | 1990 mm |
| L MAX. APPROACH ANGLE | 13° (front) / 15° (back) |

CAPACITY & PERFORMANCE

| | |
|-----------------------------|----------|
| PLACEMENT THICKNESS (MAX.) | 360 mm |
| THEORETICAL PAVING CAPACITY | 1100 t/h |
| PAVING SPEED (MAX.) | 28 m/min |
| TRANSPORT SPEED (MAX.) | 4 km/h |

CRAWLER

| | |
|-----------------------------|-------------|
| CRAWLER LENGTH (AXLE TRACK) | 3360 mm |
| CRAWLER WIDTH (PADS) | 320 mm |
| FINAL DRIVE | Hydrostatic |

SCREED OPTIONS

| | STV 5100 G | STV 5100 E | STV 6000 G | STV 6000 E | STVH 5100 E | STVH 6000 E | SFTV 3000 E | SFTV 3000 G |
|--------------------------|---------------------------|---------------------------|---------------------------|---------------------------|------------------------|------------------------|--------------------|--------------------|
| BASIC WIDTH | 2.55 m | 2.55 m | 3.00 m | 3.00 m | 2.55 m | 3.00 m | 3.00 m | 3.00 m |
| HYDRAULIC EXTENDED WIDTH | 5.10 m | 5.10 m | 6.00 m | 6.00 m | 5.10 m | 6.00 m | | |
| MAX. WORKING WIDTH | 8.80 m | 8.80 m | 9.70 m | 9.70 m | 8.10 m | 9.00 m | 14.00 m | 14.00 m |
| CROWN RANGE | -2.5% to +4.5% | -2.5% to +4.5% | -2.5% to +4.5% | -2.5% to +4.5% | -2.5% to +4.5% | -2.5% to +4.5% | -2% to +3% | -2% to +3% |
| HEATING SYSTEM | Gas (LPG) | Electric | Gas (LPG) | Electric | Electric | Electric | Electric | Gas (LPG) |
| SCREED TYPE | Tamper & vibration screed | Tamper & vibration screed | Tamper & vibration screed | Tamper & vibration screed | High compaction screed | High compaction screed | Rigid frame screed | Rigid frame screed |

MATERIAL FEEDING SYSTEM

| | |
|---|-----------------------------------|
| HOPPER CAPACITY | 15 t |
| HOPPER DUMPING HEIGHT CENTER (W. HOPPER FLAP) | 525 mm |
| HOPPER WIDTH, INTERNAL | 3290 mm |
| CONVEYOR TYPE | Dual bar feeder |
| CONVEYOR WIDTH | 2 × 655 mm |
| CONVEYOR CONTROL | Automatic with limit switches |
| AUGER DIAMETER | 500 mm |
| AUGER CONTROL | Automatic with ultrasonic sensors |
| AUGER HEIGHT ADJUSTMENT | 250 mm (hydraulica) |

ENGINE

| | | |
|------------------------|------------------------|----------------------|
| ENGINE MODEL | Cummins QSB 6.7 - C260 | Cummins B 6.7 - C260 |
| RATED POWER @ 2200 RPM | 194 kW | 194 kW |
| EMISSIONS | EU Stage IIIA | EU Stage V |
| ELECTRICAL SYSTEM | | 24 V |
| FUEL TANK CAPACITY | | 320 l |

OPERATOR STATION

| | |
|------------------|---|
| OPERATOR CONSOLE | Slidable and tiltable control console, adjustable to any position |
| DASHBOARD | Pave Manager 2.0 (PLC) |
| PLATFORM | Slidable operator platform (500 mm left and right) |
| ROOF | Canopy with integrated working lights |