

AFT 800-3

TRACKED ASPHALT PAVER LARGE CLASS, PREMIUM

EU Stage V / U.S. EPA Tier 4f
EU Stage IIIA / U.S. EPA Tier 3



ONE FOR ALL FOR THE BIG JOBS

This 20-tonne tracked paver is ready to tackle the largest jobs, including airports and major highways. It has the power to pull wide lifts and provide high pre-compaction results. The AFT 800-3 is also available with rigid frame and high compaction screeds. The intelligent paving control system enables thorough monitoring of the paver. The user interface utilises an intuitive dashboard that makes the technology accessible to operators.

ADVANCED TECHNOLOGY

- Pavemanager 2.0 System monitors paving parameters in real time
- Crown and slope automatic programming
- Memory system (SetAssist Option) saves settings of screed, auger and leveling position while paving
- Efficient drive concept reduces operation costs

TRACTION

- Long, wide tracks for optimal grip and smooth drive
- High number of rollers inside tracks improves manoeuvrability on curves
- 2.9 m track length
- 320 mm track pads specially designed for pavers

SUPERIOR SCREED TECHNOLOGY

- Multiple screed options
- Ability to utilise high-compaction screeds
- Ability to utilise rigid-frame screeds for large paving widths
- Gas or electric heating
- 12 m maximum working width
- Stability through 4-tube principle
- Easy adjustment of the angle of attack with the Flexilever
- Single crank to adjust height and side shield angle

MATERIAL FEEDING

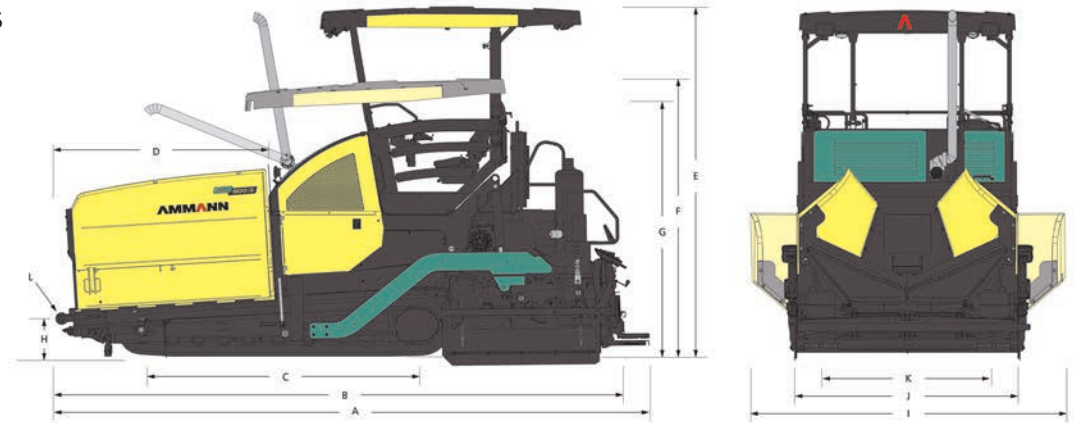
- Large capacity hopper for reduced segregation
- Hydraulic front hopper flap (option)
- Two 655 mm independent, reversible conveyor belts
- Slim auger gearbox
- Ultrasonic sensors for auger control

APPLICATIONS

- Airports
- Ports
- National roads
- Highways
- Country roads
- City/municipal streets
- Building lots
- Large squares and courtyards

AMMANN

TECHNICAL SPECIFICATIONS
AFT 800-3
TRACKED ASPHALT PAVER
LARGE CLASS, PREMIUM



WEIGHT & DIMENSIONS

WEIGHT (INCLUDING STANDARD SCREED)	20 000 kg
A MACHINE LENGTH	6880 mm
B TRANSPORT LENGTH	6630 mm
C TRACK LENGTH	3360 mm
D HOPPER LENGTH	2600 mm
E MACHINE HEIGHT	3900 mm
F TRANSPORT HEIGHT	3100 mm
G HEIGHT (W.O. CANOPY)	2845 mm
H MATERIAL LOADING HEIGHT	460 mm
I MACHINE, OPEN HOPPERS WIDTH	3470 mm
J TRANSPORT WIDTH	2550 mm
K TRACK GAUGE WIDTH	1990 mm
L MAX. APPROACH ANGLE	13° (front) / 15° (back)

CAPACITY & PERFORMANCE

PLACEMENT THICKNESS (MAX.)	360 mm
THEORETICAL PAVING CAPACITY	900 t/h
PAVING SPEED (MAX.)	28 m/min
TRANSPORT SPEED (MAX.)	4 km/h

CRAWLER

CRAWLER LENGTH (AXLE TRACK)	3360 mm
CRAWLER WIDTH (PADS)	320 mm
FINAL DRIVE	Hydrostatic

SCREED OPTIONS

	STV 5100 G	STV 5100 E	STV 6000 G	STV 6000 E	STVH 5100 E	STVH 6000 E	SFTV 3000 E	SFTV 3000 G
BASIC WIDTH	2.55 m	2.55 m	3.00 m	3.00 m	2.55 m	3.00 m	3.00 m	3.00 m
HYDRAULIC EXTENDED WIDTH	5.10 m	5.10 m	6.00 m	6.00 m	5.10 m	6.00 m		
MAX. WORKING WIDTH	8.80 m	8.80 m	9.70 m	9.70 m	8.10 m	9.00 m	12.00 m	12.00 m
CROWN RANGE	-2.5% to +4.5%	-2.5% to +4.5%	-2.5% to +4.5%	-2.5% to +4.5%	-2.5% to +4.5%	-2.5% to +4.5%	-2% to +3%	2% to +3%
HEATING SYSTEM	Gas (LPG)	Electric	Gas (LPG)	Electric	Electric	Electric	Electric	Gas (LPG)
SCREED TYPE	Tamper & vibration screed	Tamper & vibration screed	Tamper & vibration screed	Tamper & vibration screed	High compaction screed	High compaction screed	Rigid frame screed	Rigid frame screed

MATERIAL FEEDING SYSTEM

HOPPER CAPACITY	15 t
HOPPER DUMPING HEIGHT CENTER (W. HOPPER FLAP)	525 (540) mm
HOPPER WIDTH, INTERNAL	3290 mm
CONVEYOR TYPE	Dual bar feeder
CONVEYOR WIDTH	2 × 655 mm
CONVEYOR CONTROL	Automatic with limit switches
AUGER DIAMETER	430 mm
AUGER CONTROL	Automatic with ultrasonic sensors
AUGER HEIGHT ADJUSTMENT	250 mm (hydraulic)

ENGINE

ENGINE MODEL	Cummins QSB 6.7 - C220	Cummins B 6.7 - C225
RATED POWER @ 2200 RPM	164 kW	168 kW
EMISSIONS	EU Stage IIIA	EU Stage V
ELECTRICAL SYSTEM		24 V
FUEL TANK CAPACITY		320 l

OPERATOR STATION

OPERATOR CONSOLE	Slidable and tiltable control console, adjustable to any position
DASHBOARD	Pave Manager 2.0 (PLC)
PLATFORM	Slidable operator platform (500 mm left and right)
ROOF	Canopy with integrated working lights