

AFT 300-2

TRACKED ASPHALT PAVER COMPACT CLASS

EU Stage V / U.S. EPA Tier 4f
EU Stage IIIA / U.S. EPA Tier 3



Optional remote control unit

COMPACT AND POWERFUL

The Ammann AFT 300-2 Compact Paver is a small machine that is big on power, helping contractors to master also challenging jobsites. A powerful engine delivers the necessary power, while wide tracks provide excellent grip to help overcome tough grades and challenging ground conditions. The tamper-vibration screed provides exceptional pre-compaction, while the material flow system further boosts quality. The compact design enables easy transport between jobsites.

MATERIAL FEEDING

- Theoretical paving capacity up to 300 t/h
- Reversible conveyor and augers
- Left and right augers separately controlled
- Refill function for auger compartment after machine relocation

SUPERIOR SCREED TECHNOLOGY

- Standard width of 1.2–2.4 m
- Maximum width of 3.5 m with mechanical extensions
- Minimum width of 0.5 m with reduction shoes
- Gas or electric heating

OPERATOR STATION

- Good sight lines
- Low noise levels
- Back rest for safety
- Optional remote control unit

UNDERCARRIAGE & DRIVETRAIN

- Powered by 55.4 kW engine (EU Stage V / U.S. EPA Tier 4f)
- Alternative EU Stage IIIA / U.S. EPA Tier 3 engine also available, rated at 54 kW
- Compact for easy transport
- Narrow dimensions for tight jobsites
- Wide tracks for optimum traction

SERVICEABILITY

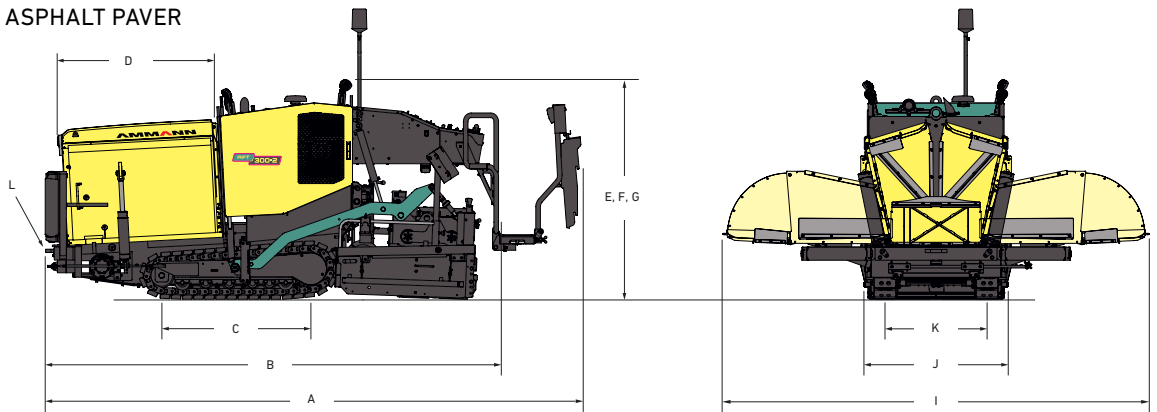
- Easy access
- All-in-one box kits available
- Easy replacement of dashboard toggle switches

APPLICATIONS

- Municipal roads
- Footpaths
- Cycling tracks
- Trenches
- Narrow roads
- Parking lots
- Property entrances

AMMANN

TECHNICAL SPECIFICATIONS
AFT 300-2 TRACKED ASPHALT PAVER
COMPACT CLASS



WEIGHT & DIMENSIONS

WEIGHT (INCLUDING STANDARD SCREED)	7000 kg
A MACHINE LENGTH	4760 mm
B TRANSPORT LENGTH	4140 mm
C TRACK LENGTH	1390 mm
D HOPPER LENGTH	1380 mm
E MACHINE HEIGHT	2020 mm
F TRANSPORT HEIGHT	2020 mm
G HEIGHT	2020 mm
H MATERIAL LOADING HEIGHT	570 mm
I MACHINE, OPEN HOPPERS WIDTH	3915 mm
J TRANSPORT WIDTH	1432 mm
K TRACK GAUGE WIDTH	938 mm
L MAX. APPROACH ANGLE	14° (front) / 13° (rear)

CAPACITY & PERFORMANCE

PLACEMENT THICKNESS (MAX.)	200 mm
THEORETICAL PAVING CAPACITY	300 t/h
PAVING SPEED (MAX.)	27 m/min
TRANSPORT SPEED (MAX.)	3.3 km/h

CRAWLER

CRAWLER LENGTH (AXLE TRACK)	1390 mm
CRAWLER WIDTH (PADS)	200 mm
FINAL DRIVE	Direct drive over transmission

SCREED OPTIONS

	STV 2400 G	STV 2400 E
BASIC WIDTH	1.20 m	1.20 m
HYDRAULIC EXTENDED WIDTH	2.40 m	2.40 m
MAX. WORKING WIDTH (WITH EXTENSIONS)	3.50 m	3.50 m
MIN. WORKING WIDTH (WITH REDUCTION SHOES)	0.50 m	0.50 m
CROWN RANGE	-2.5% to +4.5%	-2.5% to +4.5%
HEATING SYSTEM	Gas (LPG)	Electric
SCREED TYPE	Tamper & vibration screed	Tamper & vibration screed



MATERIAL FEEDING SYSTEM

HOPPER CAPACITY	5.5 t
HOPPER DUMPING HEIGHT CENTER (W. HOPPER FLAP)	570 mm
HOPPER WIDTH, INTERNAL	2675 mm
CONVEYOR TYPE	Independent conveyor drive with central cover
CONVEYOR WIDTH	620 mm
CONVEYOR CONTROL	Automatic with limit switches
AUGER DIAMETER	320 mm
AUGER CONTROL	Automatic with ultrasonic sensors
AUGER HEIGHT ADJUSTMENT	150 mm (mechanical)

ENGINE

ENGINE MODEL	Deutz TD2.9 L4
RATED POWER @ 2200 RPM	
EU Stage V / U.S. EPA Tier 4f	55.4 kW
EU Stage IIIA / U.S. EPA Tier 3	54 kW
ELECTRICAL SYSTEM	24 V
FUEL TANK CAPACITY	85 l

OPERATOR STATION

OPERATOR CONSOLE	Conventional control
DASHBOARD	Conventional control
PLATFORM	With back rest for operator safety